

Year 7 – Set Three

Name Date

Answer these questions without using a calculator.

1

Multiply one thousand and twenty-eight by thirty-nine.

What is the answer?

- two thousand and ninety-two
- four thousand and ninety-two
- forty thousand and ninety-two
- four hundred thousand and ninety-two

2

Gina walks 600 m to school each day.

She has two friends who ride their bikes to school — one travels 3.2 km and the other, 1.75 km.

What is the average distance travelled to school by these three students?

201.65 m

604.95 m

1.095 km

1.85 km

3

Four athletes run at different speeds when training.

Tuan runs 1 km every 8 minutes.

Jake runs at 100 metres per minute.

Ahmed runs at 8 kilometres per hour.

Carlo runs at 2 metres per second.

Whose training speed was the fastest?

Tuan's

Jake's

Ahmed's

Carlo's

4

A triangle has two equal sides and one angle of 98° .

Another angle in this triangle is

41°

49°

82°

98°

5

In 2008, the price of fuel dropped from \$1.50 to 90 cents per litre.

What percentage decrease is this?

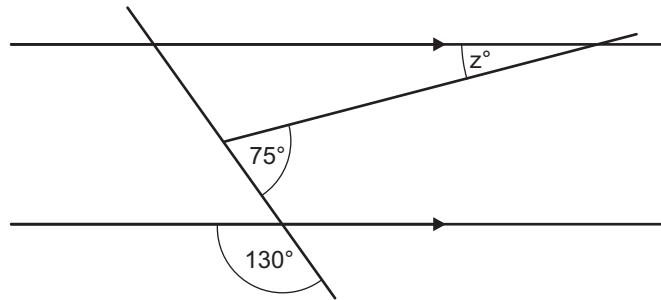
6

At Giang's party, one third of the birthday cake was eaten.
The next day, Giang ate a quarter of what was left.

What fraction of the whole cake did Giang eat the day after the party?

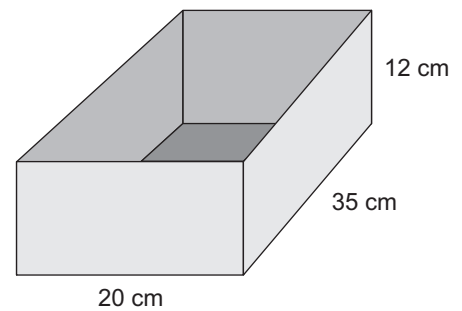
7

What is the value of z in this diagram?



8

What area of cardboard is needed to make this open box?



1320 cm²

1360 cm²

2020 cm²

2720 cm²