

YEAR 3 Set 12

Name Date

1 What is the next day after Thursday?

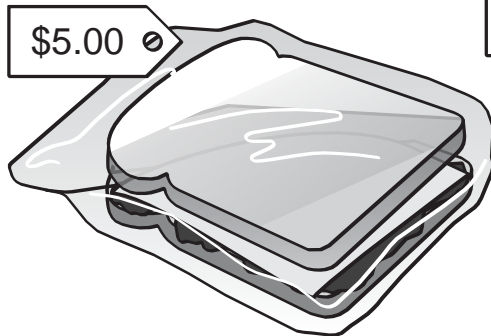
Wednesday

Friday

Saturday

Sunday

2 Evie bought these things for lunch.



How much money did she spend?

\$4.10

\$8.05

\$8.15

\$9.05

3 Write a number in the box to make the number sentence correct.

$$56 - \square = 38$$

4 Tom's swimming lesson starts at 3:15 pm and finishes at 3:45 pm.

How many minutes was his lesson?

15

30

45

60

#0000-

5 This is Sarah's number pattern.

22, 23, 25, 28, ?

What is the next number in her pattern?

- 29
- 30
- 31
- 32

6 A pet bird needs its cage cleaned out every four days.



Sophie cleaned the cage first on Monday.

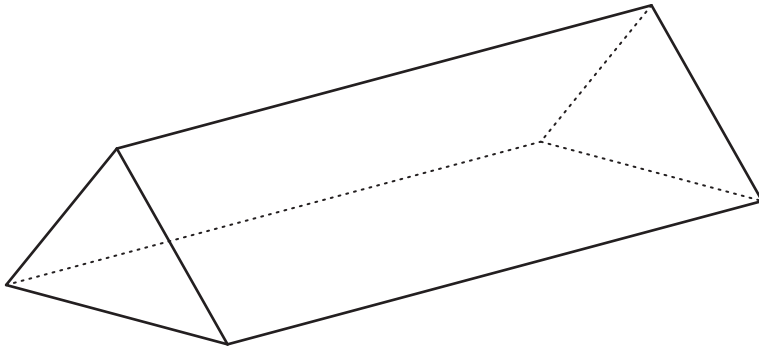
Then Kate cleaned it the second time.




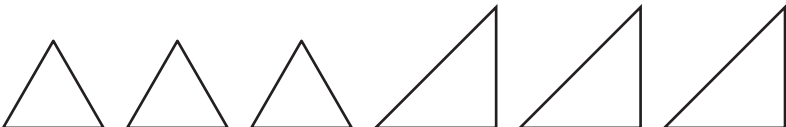
The third time the cage will be cleaned is on a

- Friday.
- Monday.
- Tuesday.
- Wednesday.

YEAR 3 Set 12

7 Which group of shapes shows the faces of this object?



- 
- 
- 
- 

8 Tom, Anna, Will, Henry and Jo write their name on pieces of paper.

The five pieces are put into a hat.

Their teacher takes out one name.

What is the chance it is Tom?

- certain
- possible
- impossible

#0000-